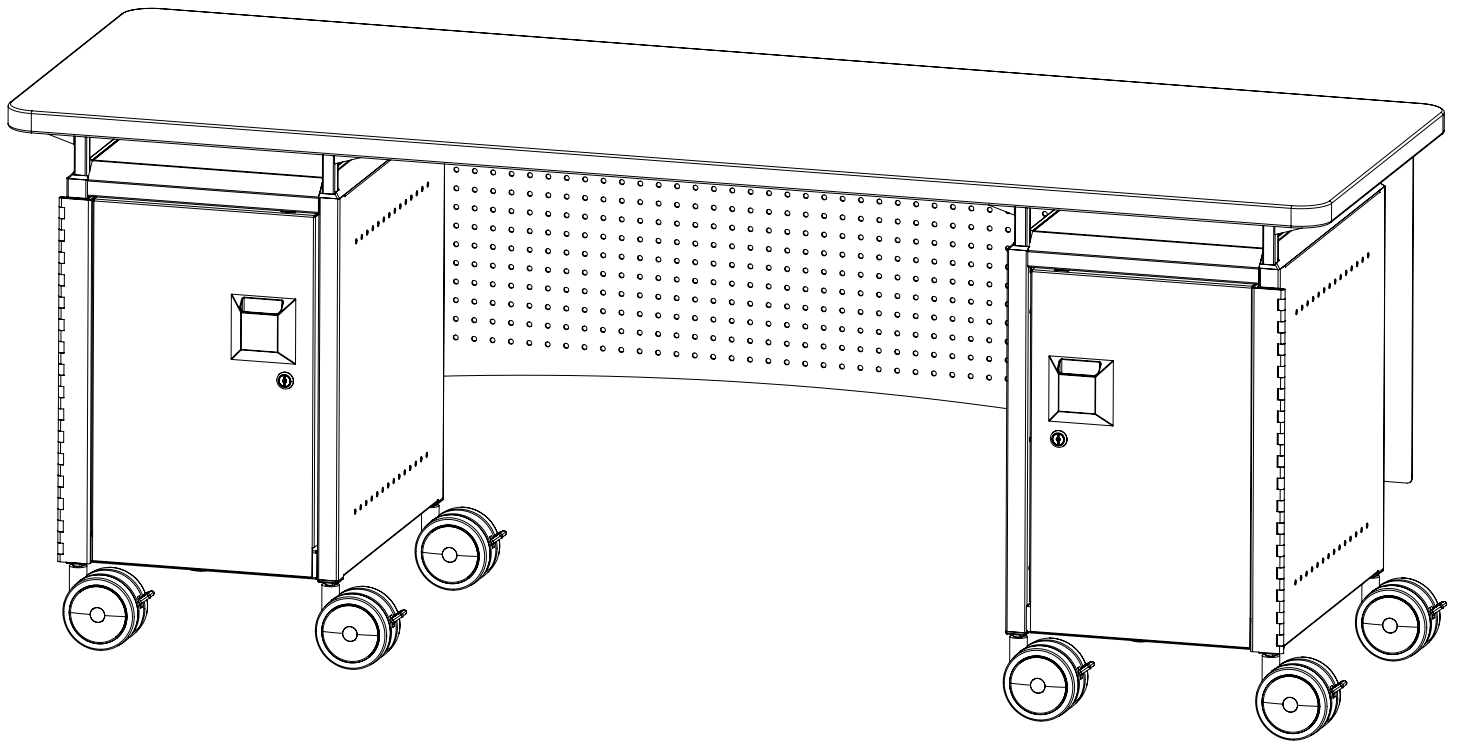


# Product Name



Part Numbers: CTDA1A1BXXD0-XXXX-XXXX



**ASSEMBLY INSTRUCTIONS**  
DO NOT THROW AWAY!



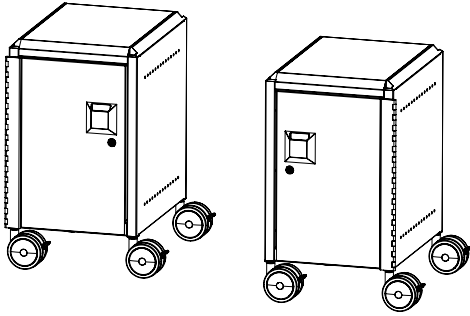
**INSTRUCCIONES DE  
ENSEMBLAJE**  
NO LA TIRE

**INSTRUCTIONS DE  
MONTAGE**  
NE PAS JETER

# Parts List

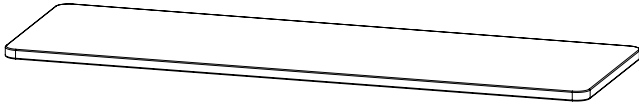
P1 - Compass Cabinet Set

x 1



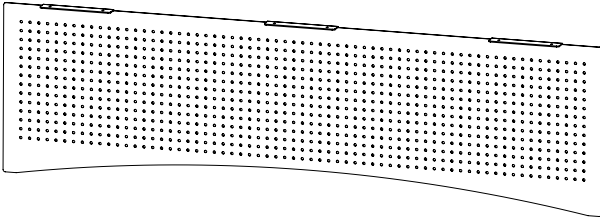
P2 - Teacher Desk Top  
24" x 72"

x 1



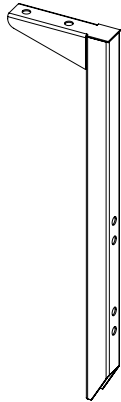
P3 - Modesty Panel

x 1



P4 - Risers

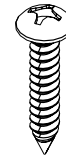
x8



# Hardware

A - #10 x 1" Wood Screws

x22



## WARNINGS AND DISCLAIMERS

Review full assembly instructions and check that all parts are present before beginning assembly. Heavy or large furniture may require multiple persons in order to properly assemble. If you have questions regarding assembly, contact the manufacturer before continuing. Damage due to incorrect assembly may not be covered by warranty. Do not use product unless all screws are tight. Check all screws for tightness at least every six months. If parts are broken, missing, damaged, or worn, stop use of the product until repairs are made by your dealer using factory authorized parts.

## ADVERTENCIAS Y RENUNCIAS

Por favor leer las instrucciones previo a comenzar el proceso de ensamblaje o instalacion. Asegure que cuenta con todas las partes y materiales necesarios. Es posible que los muebles y tableros grandes o pesados, requieran mas de una persona para ensamblarlos/ instalarlos correctamente. Si tiene alguna duda o consulta, comuniquese directamente con el fabricante antes de continuar con el proceso de armado / instalacion del producto. La garantía no cubre daños por errores cometidos durante el proceso de ensamblaje / instalacion. Asegurese de que los tornillos esten ajustados antes de usar el producto. Se recomienda revisar los tornillos periódicamente, por lo menos cada seis meses y asegurarse de que estén bien ajustados. Por favor detenga el uso del producto si hay partes con fallas, rotas o deterioradas con tiempo. Contacte a su distribuidor para que replacen las partes o realicen las reparaciones necesarias con repuestos autorizadas por el fabricante.

## AVERTISSEMENTS

Avant de commencer l' assamblage veuillez consulter les instructions complètes et vérifier si vous avez toutes les pièces nécessaires. Il est possible que plusieurs personnes soient nécessaires pour assemble des meubles grand ou lourds. En cas de doute sur l' assamblage contactez le fabricant avant de continuer. Les dommages encourus pendant l'assamblage ne seront pas couvert par la garantie. Ne pas utiliser le produit sans vérifier que tous les vis soient serrées. Vérifiez que les vis sont serrées au moins tous le 6 mois. Si aucune pièce se casse, manque, est endommagée ou usée, arrêtez d' utiliser de produit jusqu'à ce que le vendeur le repaire a l'aide de pièces autorisées par la fabricant.

## WARRANTY

For full product warranty details, please visit:

Para obtener información sobre la garantía del producto, consulte este sitio (ingles):

Pour plus d'informations sur la garantie du produit, consultez ce site (anglais):

<https://moorecoinc.com/warranty>

## CARE & MAINTENANCE

For questions on assembly or missing/damaged parts, please contact us using the following information.

Para preguntas sobre el ensamblaje o piezas faltantes o dañadas, por favor contáctenos usando la siguiente información.

Pour toute question sur le montage l'assamblage manquantes ou endommagées, veuillez nous contacter en utilisant les l'information ci-dessous.

Email:

[support@moorecoinc.com](mailto:support@moorecoinc.com)

Phone:

**1-800-749-2258**

(Monday – Friday, 8am – 5pm  
Central Time)

## PRODUCT REGISTRATION

To register your product for warranty, please visit:

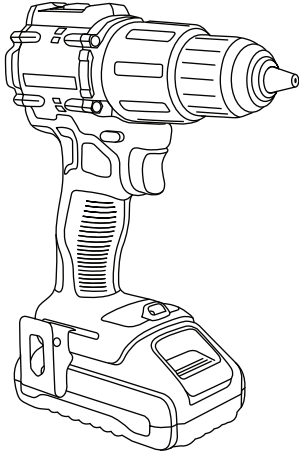
Para registrar la garantía del producto, vea este sitio (en ingles):

Pour enregistrer la garantie de votre produit, consultez ce site (en anglais):

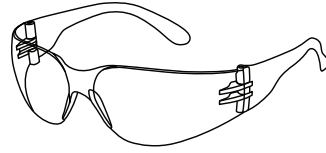
<https://moorecoinc.com/register>

# TOOLS & SAFETY

Here is a list of tools and safety equipment recommended for a successful and safe installation.



Power Drill



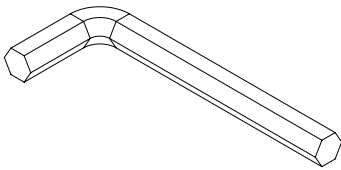
OSHA Approved Safety Goggles



#3 Phillips Screwdriver Bit



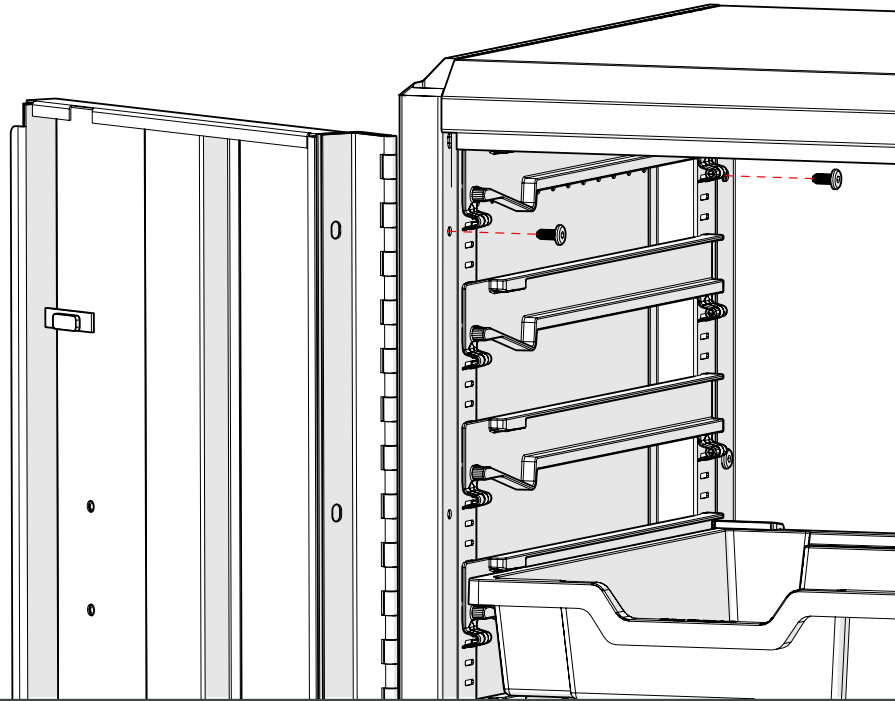
Work Gloves



4mm Allen Wrench

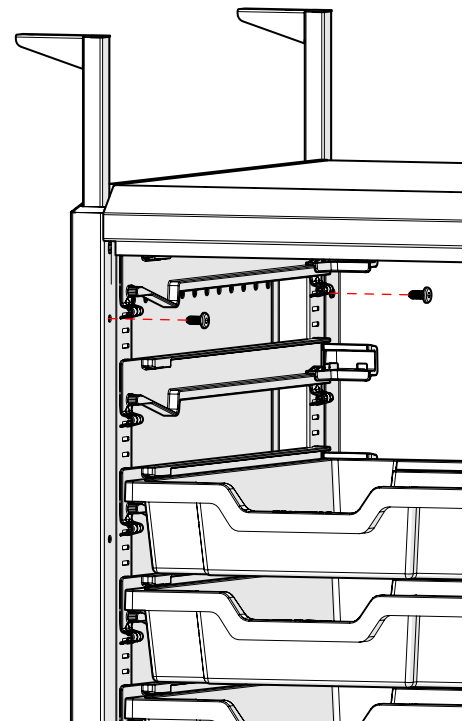
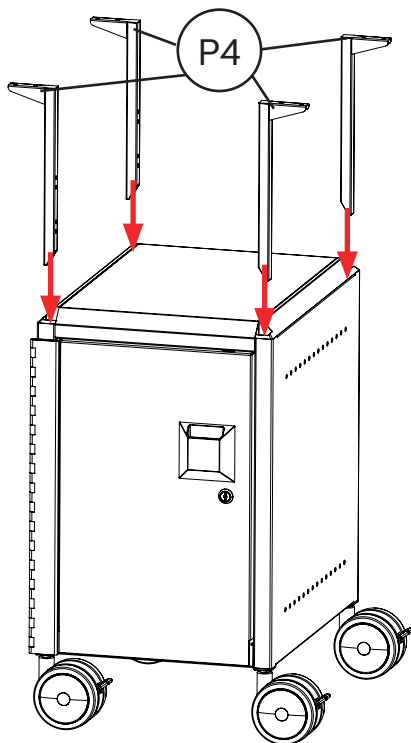
## STEP 1

For both cabinets: Take out drawers if necessary. Remove casting retainer screws from positions shown inside cabinet. Set screws aside. Repeat for other side of cabinet.



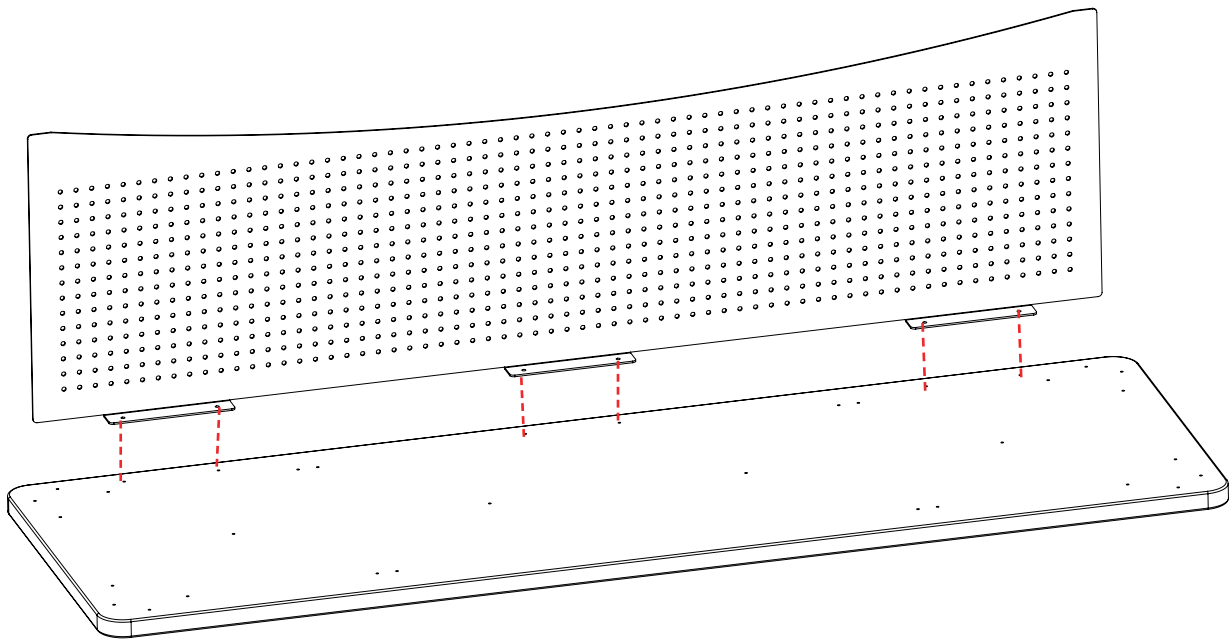
## STEP 2

For both cabinets: Insert Risers into slots in mount castings. Replace screws removed in previous step being careful to raise Risers to equal heights when lining up screw holes. (For proper height adjustment see Support Height Addendum on page 8.)



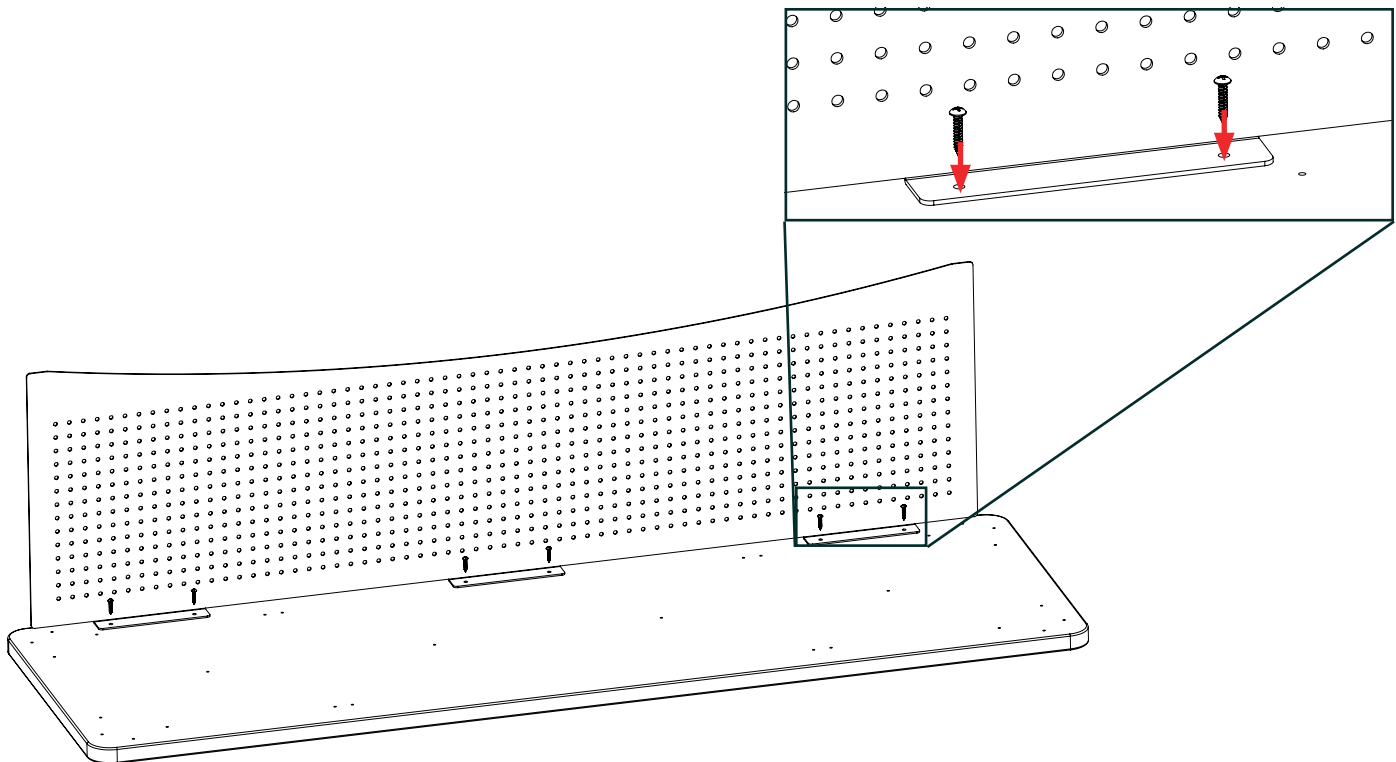
## STEP 3

Flip Teacher Desk Top upside down and align Modesty Panel to pre-drilled holes in Top.



## STEP 4

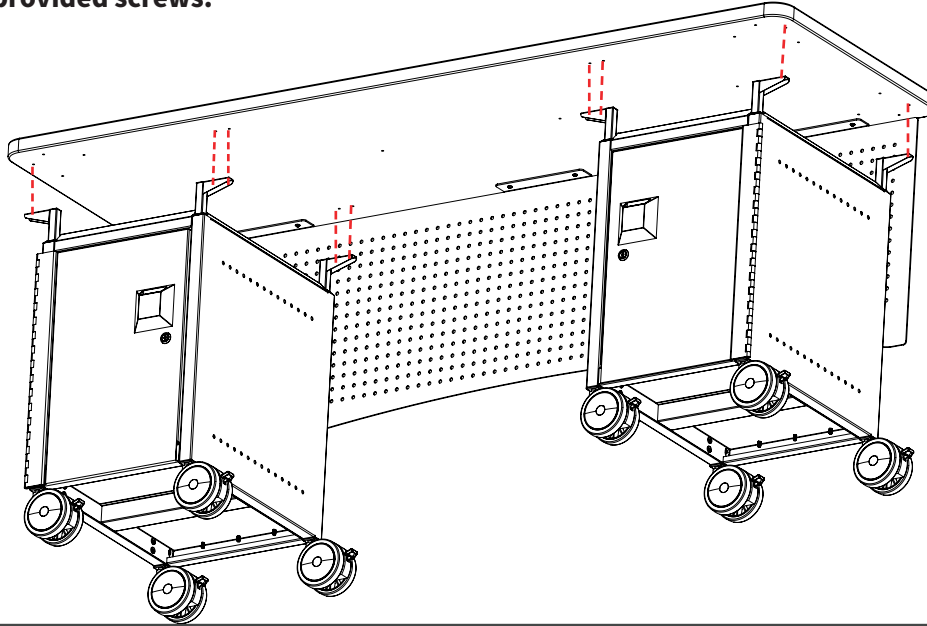
Secure Modesty Panel to Teacher Desk Top with six (6) screws.



## STEP 5

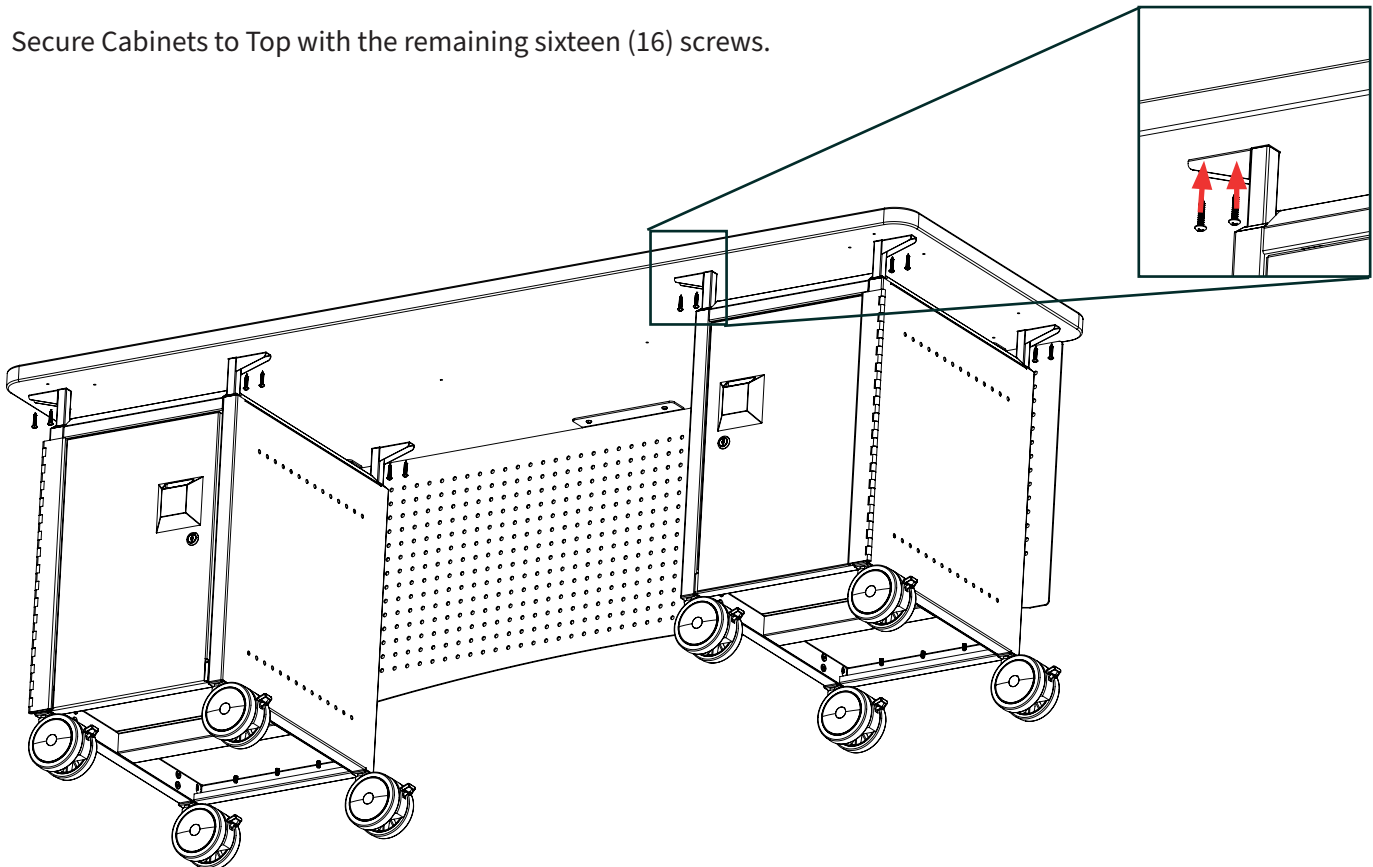
Flip Teacher Desk Top and Modesty Panel sub-assembly back over and align the pre-drilled holes to the risers of the Cabinets. The interior risers of each Cabinet should align directly to Cabinet-specific pairs of holes in the top while the exterior risers align with a single multi-purpose hole.

**NOTE: One of the two holes in each external riser will not have a pre-drilled hole in the top, but should still be attached with the provided screws.**



## STEP 6

Secure Cabinets to Top with the remaining sixteen (16) screws.



**THIS COMPLETES ASSEMBLY INSTRUCTIONS.**

# SUPPORT HEIGHT ADDENDUM

Use the distances below while setting Support Tubes in Step 2 to ensure correct transaction top height. Distances are provided for each of three cabinet height options and are measured from ground to top of Support Tube.

